

MD-80

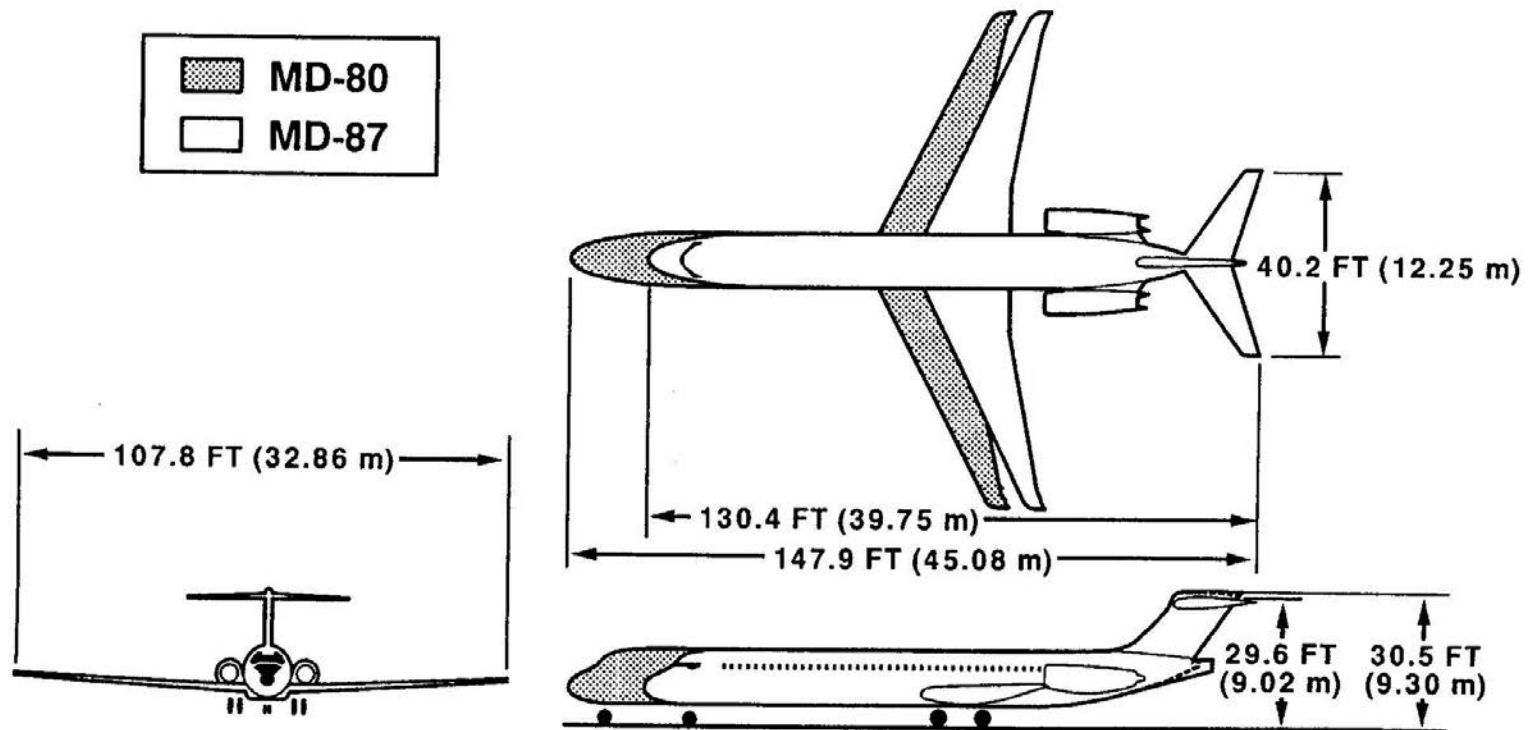
StartupBoeing



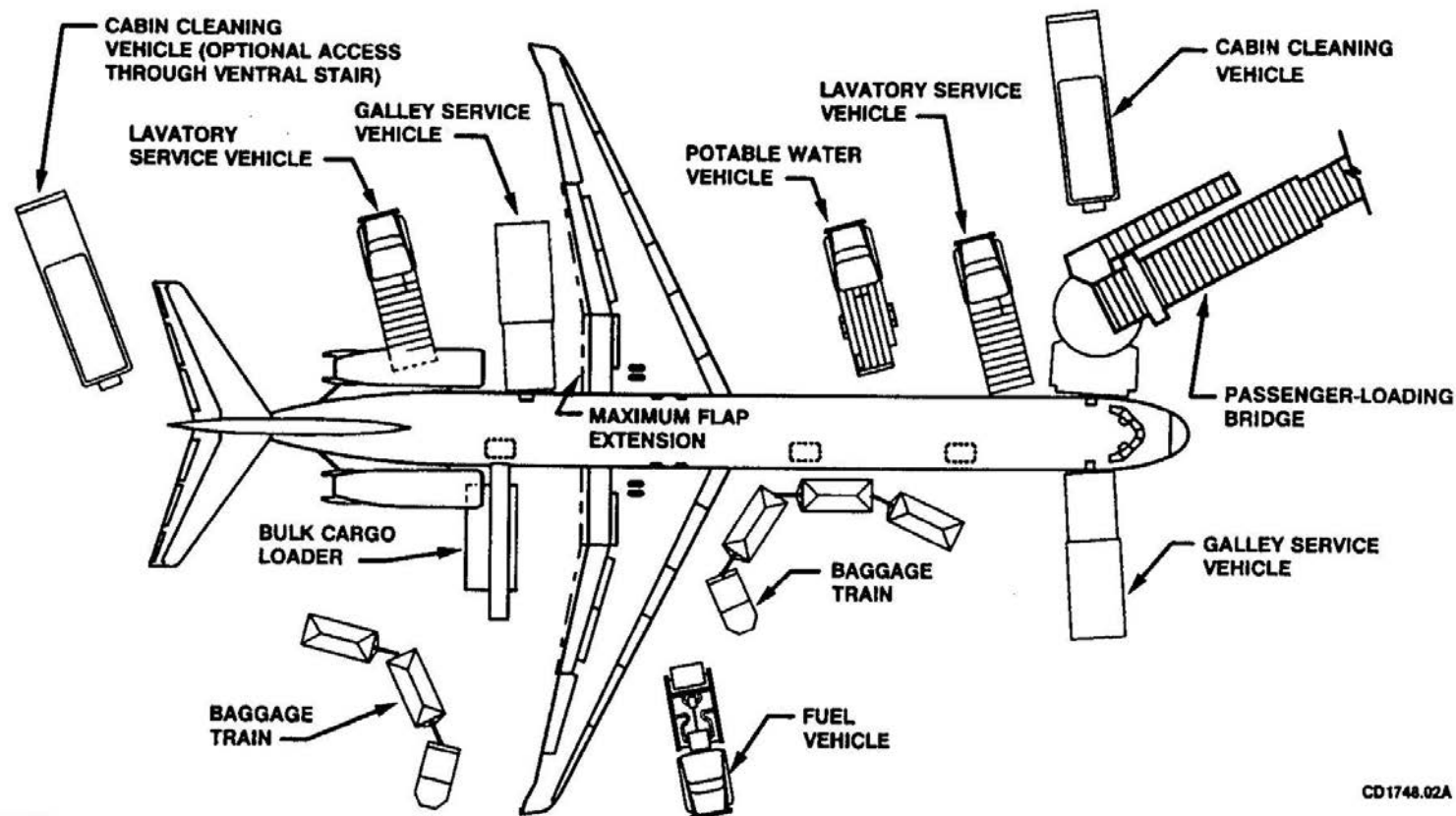
MD-87 General Arrangement

StartupBoeing

MD-87 VERSUS MD-80

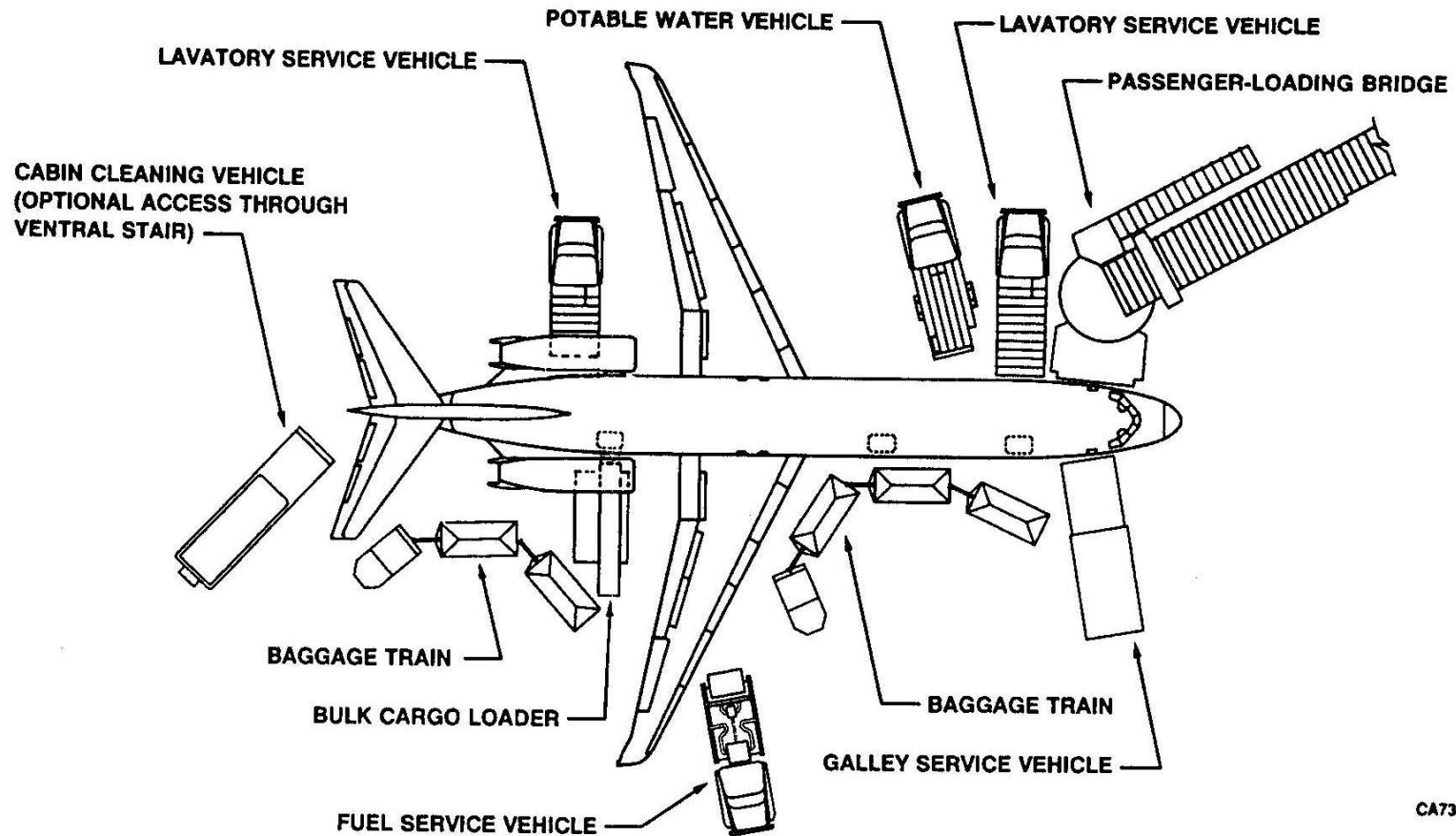


BULK CARGO LOADER USED FOR AFT COMPARTMENT ONE PASSENGER-LOADING BRIDGE



CD1748.02A

BULK CARGO LOADER USED FOR AFT COMPARTMENT ONE PASSENGER-LOADING BRIDGE

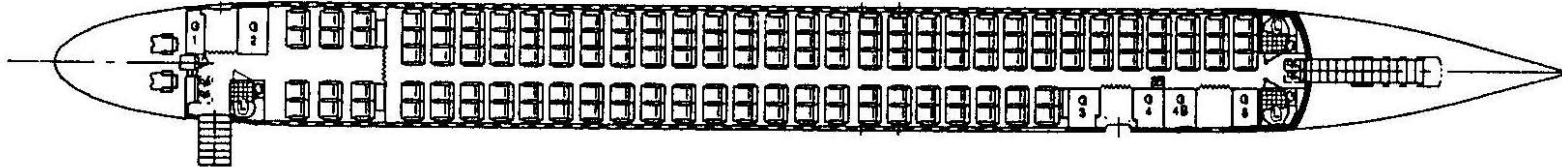


CA730.17A

MD-81/82/83/88 Interior Arrangements

StartupBoeing

MIXED-CLASS SEATING

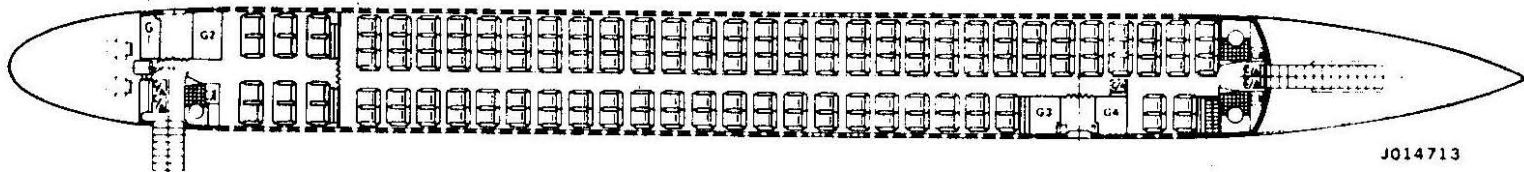


12 FIRST CLASS
36-INCH SEAT PITCH
4 ABREAST

143 PASSENGERS

131 ECONOMY CLASS
34/33/32/31-INCH SEAT PITCH
5 ABREAST

MIXED-CLASS SEATING



12 FIRST CLASS
36-INCH SEAT PITCH
4 ABREAST

147 PASSENGERS

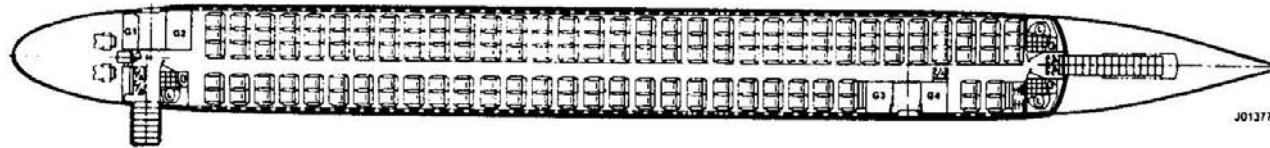
135 ECONOMY CLASS
34/33/32/31-INCH SEAT PITCH
5 ABREAST

J014713

MD-81/82/83/88 Interior Arrangements

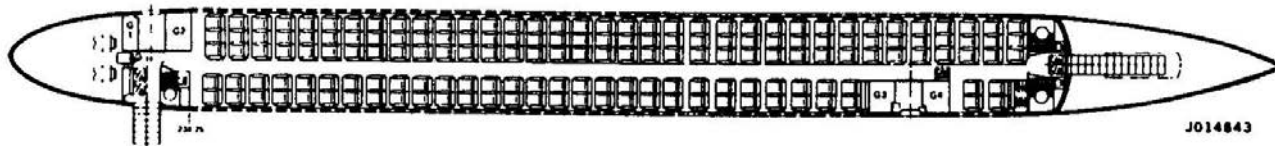
StartupBoeing

SINGLE-CLASS SEATING (SPECIFICATION INTERIOR)



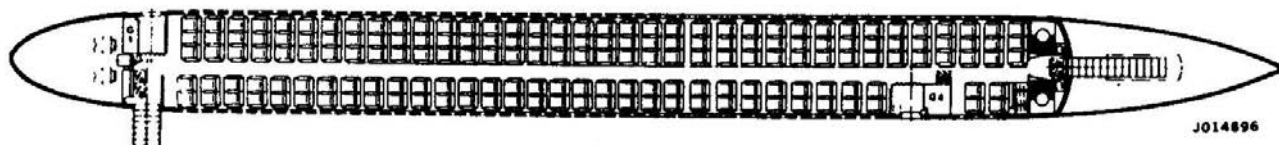
155 PASSENGERS
34/33/32/31-INCH SEAT PITCH

CHARTER



165 PASSENGERS
34/32/31/30/29-INCH SEAT PITCH

HIGH DENSITY



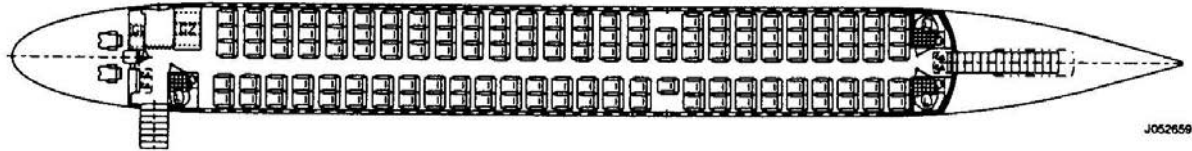
172 PASSENGERS
34/32/31/30/29-INCH SEAT PITCH

89-MD-90072

MD-87 Interior Arrangements

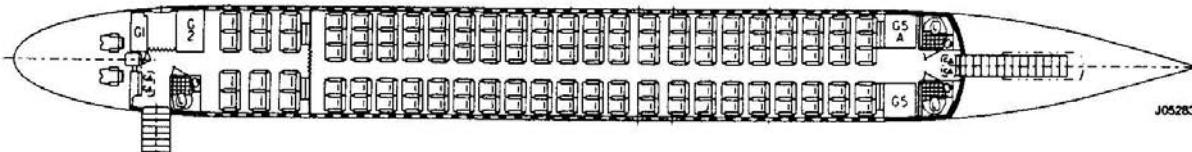
StartupBoeing

SINGLE-CLASS SEATING (SPECIFICATION INTERIOR)



130 PASSENGERS
34/33/32/31-INCH SEAT PITCH

MIXED-CLASS SEATING

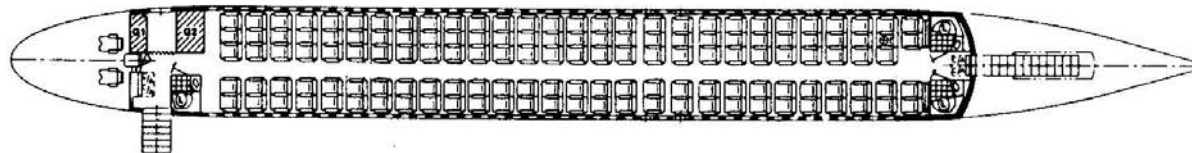


12 FIRST CLASS
36-INCH SEAT PITCH
4 ABREAST

117 PASSENGERS

105 ECONOMY CLASS
36/32/31-INCH SEAT PITCH
5 ABREAST

HIGH DENSITY

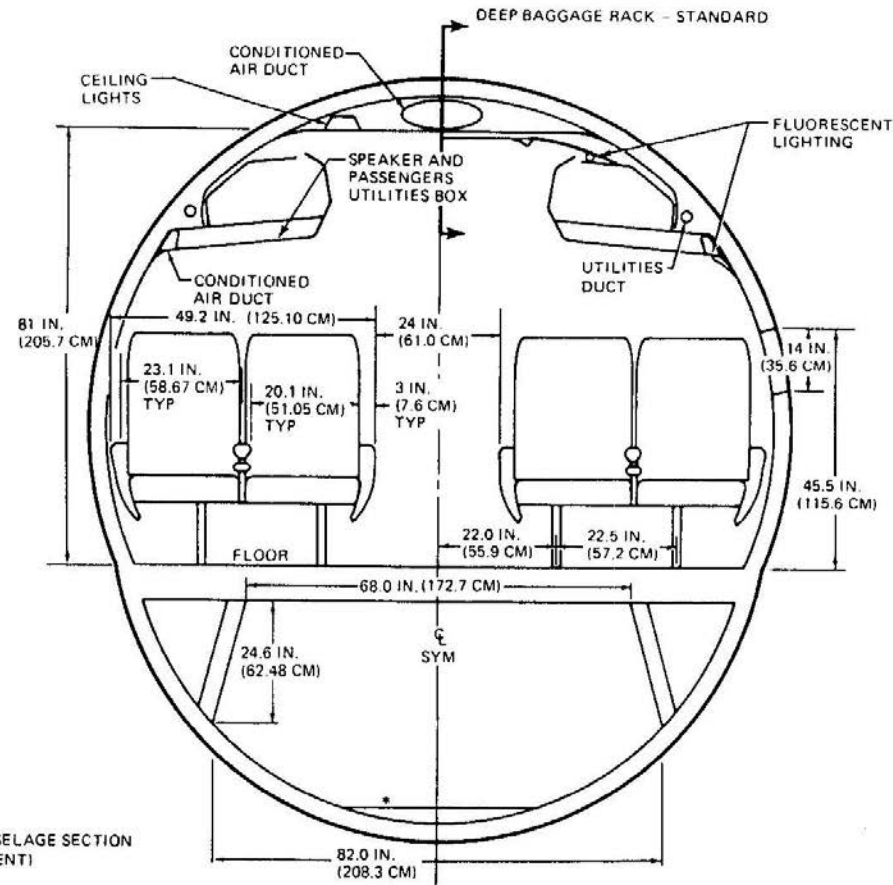


139 PASSENGERS
34/33/32/30/29-INCH SEAT PITCH

MD-80 Series Cross Section

StartupBoeing

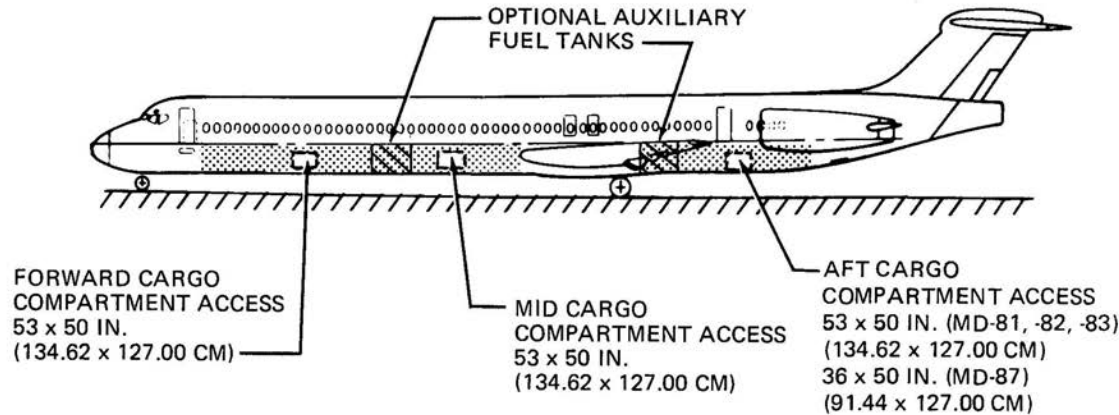
PASSENGER CABIN CROSS SECTION FIRST CLASS — MD-80 FAMILY



*FLAT FLOOR STANDARD
ON MD-80 SERIES IN THE CONSTANT FUSELAGE SECTION
(EXCEPT MD 87 AFT CARGO COMPARTMENT)

MD-80 Series Lower Hold Compartments

StartupBoeing

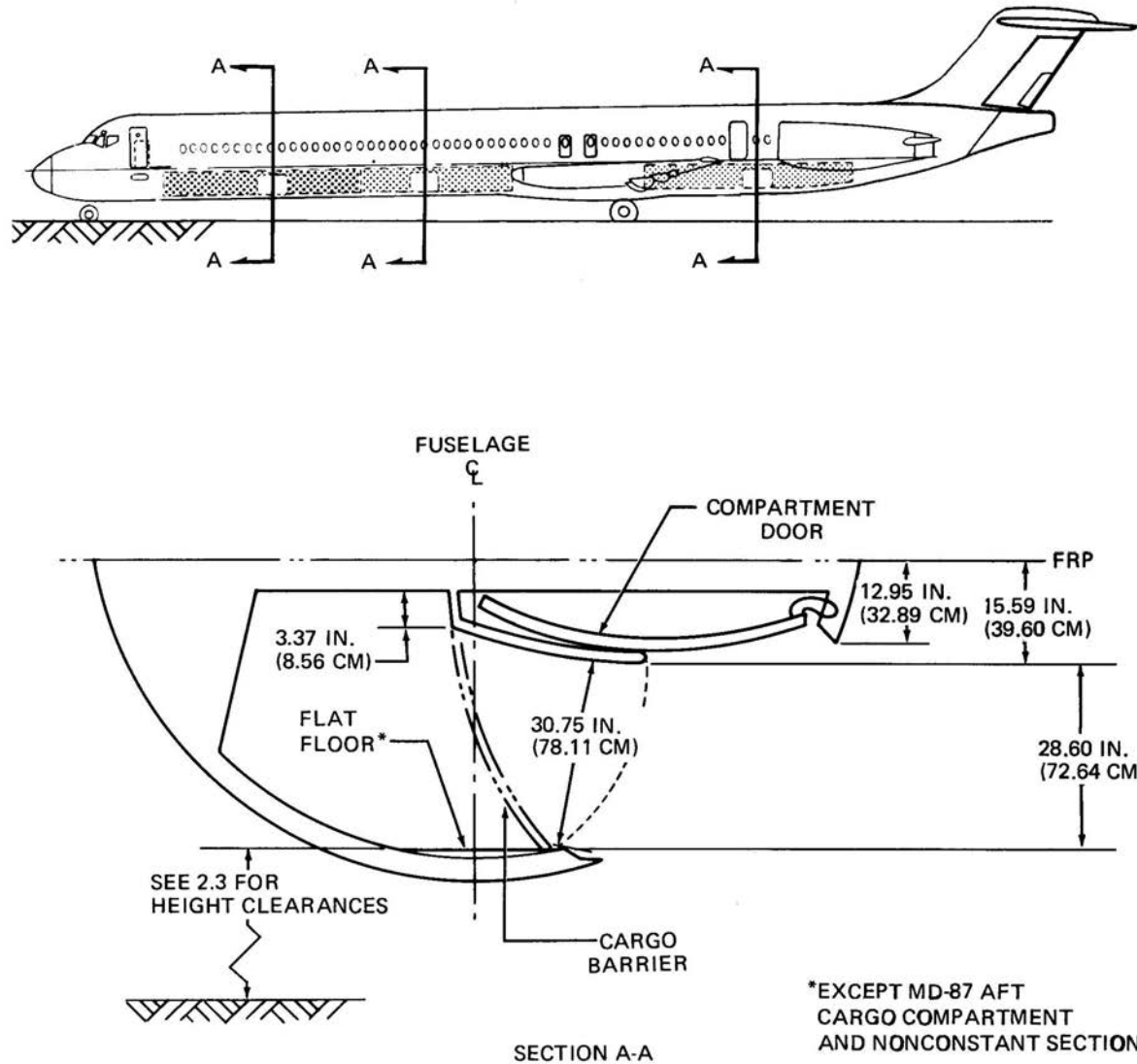


MODEL MD-80	FORWARD CARGO COMPARTMENT	MID CARGO COMPARTMENT	AFT CARGO COMPARTMENT	TOTAL CARGO
-81, -82 PRIOR TO FUSELAGE 1174	464 FT ³ (13.1 M ³)	346 FT ³ (9.8 M ³)	443 FT ³ (12.5 M ³)	1253 FT ³ (35.5 M ³)
-81, -82, -88 FUSELAGE 1174 +	434 FT ³ (12.3 M ³)	376 FT ³ (10.6 M ³)	443 FT ³ (12.5 M ³)	1253 FT ³ (35.5 M ³)
-83*	434 FT ³ (12.3 M ³)	253 FT ³ (7.2 M ³)	326 FT ³ (9.2 M ³)	1013 FT ³ (28.7 M ³)
-87	252 FT ³ (7.1 M ³)	376 FT ³ (10.7 M ³)	310 FT ³ (8.8 M ³)	938 FT ³ (26.6 M ³)
-87*	252 FT ³ (7.1 M ³)	253 FT ³ (7.2 M ³)	190 FT ³ (5.4 M ³)	695 FT ³ (19.7 M ³)

*WITH FUSELAGE AUXILIARY FUEL TANKS

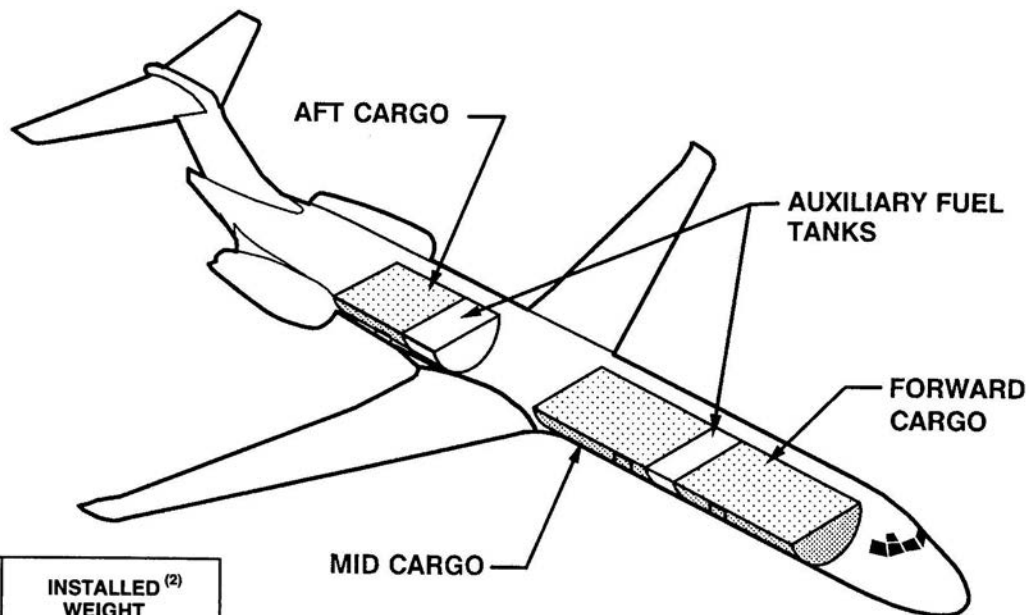
MD-80 Series Lower Hold

StartupBoeing



MD-81/82/83/88 Auxiliary Fuel System

StartupBoeing



SYSTEM DESCRIPTION	TANK LOCATION		TOTAL FUEL ⁽¹⁾		INSTALLED ⁽²⁾ WEIGHT (LB)
	FORWARD	AFT	(GAL.)	(LB)	
STANDARD (STD)	-	-	5,840	39,128	-
STD + 565	-	565	6,405	42,914	745
STD + 780	-	780	6,620	44,354	962
STD + 1,130	565	565	6,970	46,699	1,518
STD + 1,940	780	1,160	7,780	52,126	2,214

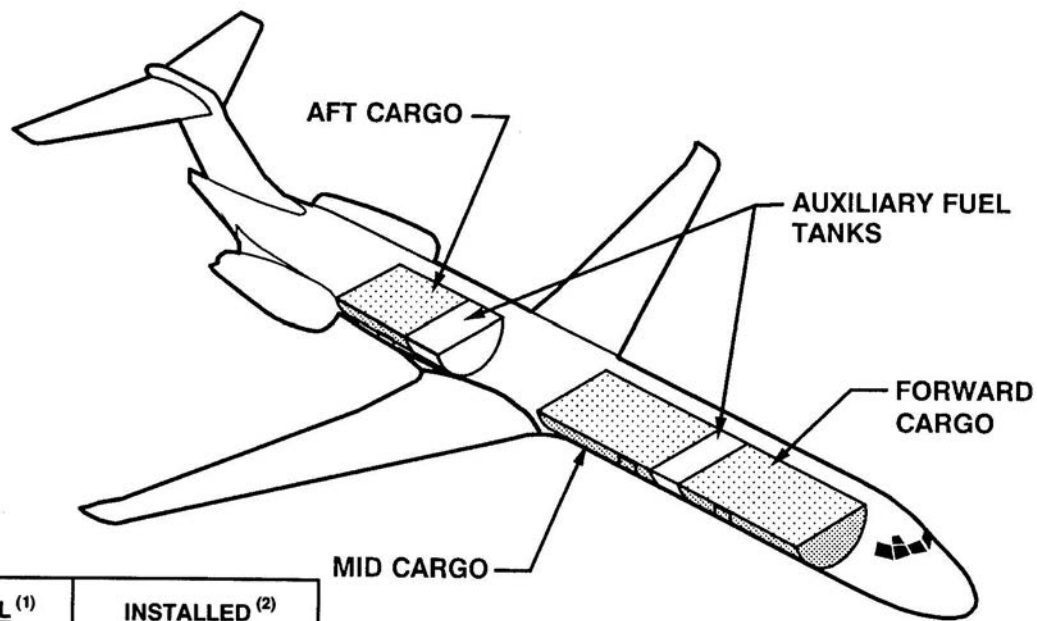
(1) FUEL DENSITY AT 6.7 LB/USG

(2) INCLUDES UNUSABLE FUEL

CB1496.00A

MD-87 Auxiliary Fuel System

StartupBoeing



SYSTEM DESCRIPTION	TANK LOCATION		TOTAL FUEL ⁽¹⁾		INSTALLED ⁽²⁾ WEIGHT (LB)
	FORWARD	AFT	(GAL.)	(LB)	
STANDARD (STD)	-	-	5,840	39,128	-
STD + 565	-	565	6,405	42,914	735
STD + 780	-	780	6,620	44,354	952
STD + 1,130	565	565	6,970	46,699	1,512

(1) FUEL DENSITY AT 6.7 LB/USG

(2) INCLUDES UNUSABLE FUEL

CB1496.07A

MD-80 Series Characteristics

StartupBoeing

		MODEL MD-81	MODEL MD-82, -88	MODEL MD-83*	MODEL MD-87	MODEL MD-87*
MAXIMUM RAMP WEIGHT	POUNDS	141,000	150,500	161,000	141,000	150,500
	KILOGRAMS	63,958	68,266	73,028	63,957	68,266
MAXIMUM LANDING WEIGHT	POUNDS	128,000	130,000	139,500	128,000	130,000
	KILOGRAMS	58,061	58,967	63,276	58,060	58,967
MAXIMUM TAKEOFF WEIGHT	POUNDS	140,000	149,500	160,000	140,000	149,500
	KILOGRAMS	63,504	67,812	72,575	63,503	67,812
OPERATING WEIGHT EMPTY	POUNDS	77,888	77,976	79,686	73,274	74,880
	KILOGRAMS	35,330	35,369	36,145	33,237	33,965
ZERO FUEL WEIGHT	POUNDS	118,000	122,000	122,000	112,000	112,000
	KILOGRAMS	53,525	55,338	55,338	50,802	50,802
MAXIMUM STRUCTURAL PAYLOAD	POUNDS	40,112	44,024	42,314	38,726	37,120
	KILOGRAMS	18,195	19,969	19,193	17,566	16,837
MAXIMUM SEATING CAPACITY	PASSENGERS	172	172	172	139	139
MAXIMUM CARGO VOLUME	CUBIC FEET	1,253	1,253	1,013	938	695
	CUBIC METERS	35.5	35.5	28.7	26.6	19.7
USABLE FUEL CAPACITY (6.7 LB PER GAL)	U.S. GALLONS	5,846	5,846	6,981	5,845	6,980
	LITERS	22,129	22,129	26,426	22,126	26,422
	POUNDS	39,168	39,168	46,773	39,162	46,766
	KILOGRAMS	17,766	17,766	21,216	17,764	21,213

*WITH 1,130-GALLON FUSELAGE AUXILIARY FUEL TANKS

MD-80 Series Characteristics

StartupBoeing

	<u>MD-81 (BASELINE)</u>	<u>MD-82</u>	<u>MD-83</u>	<u>MD-88</u>	<u>MD-87</u>
ENGINES (1) BASELINE OPTION	JT8D-217C JT8D-219	JT8D-217C JT8D-219	JT8D-217C JT8D-219	JT8D-217C JT8D-219	JT8D-217C JT8D-219
PASSENGER CAPACITY - SINGLE CLASS	155	155	155	155	130
MAX TAKEOFF WEIGHT (LB)	140,000	149,500	160,000	149,500	140,000
FUEL CAPACITY (LB)	39,128	39,128	46,699 (2)	39,128	39,128
CARGO VOL (FT³)	1,253	1,253	1,013	1,253	938

HIGHER GROSS WEIGHTS AND/OR FUEL CAPACITIES ARE AVAILABLE FOR SOME MD-80s

(1) EARLY MODELS INCLUDED JT8D-209, JT8D-217, AND JT8D-217A

(2) SHOWN WITH TWO OPTIONAL 565-GALLON SUPPLEMENTAL FUEL TANKS

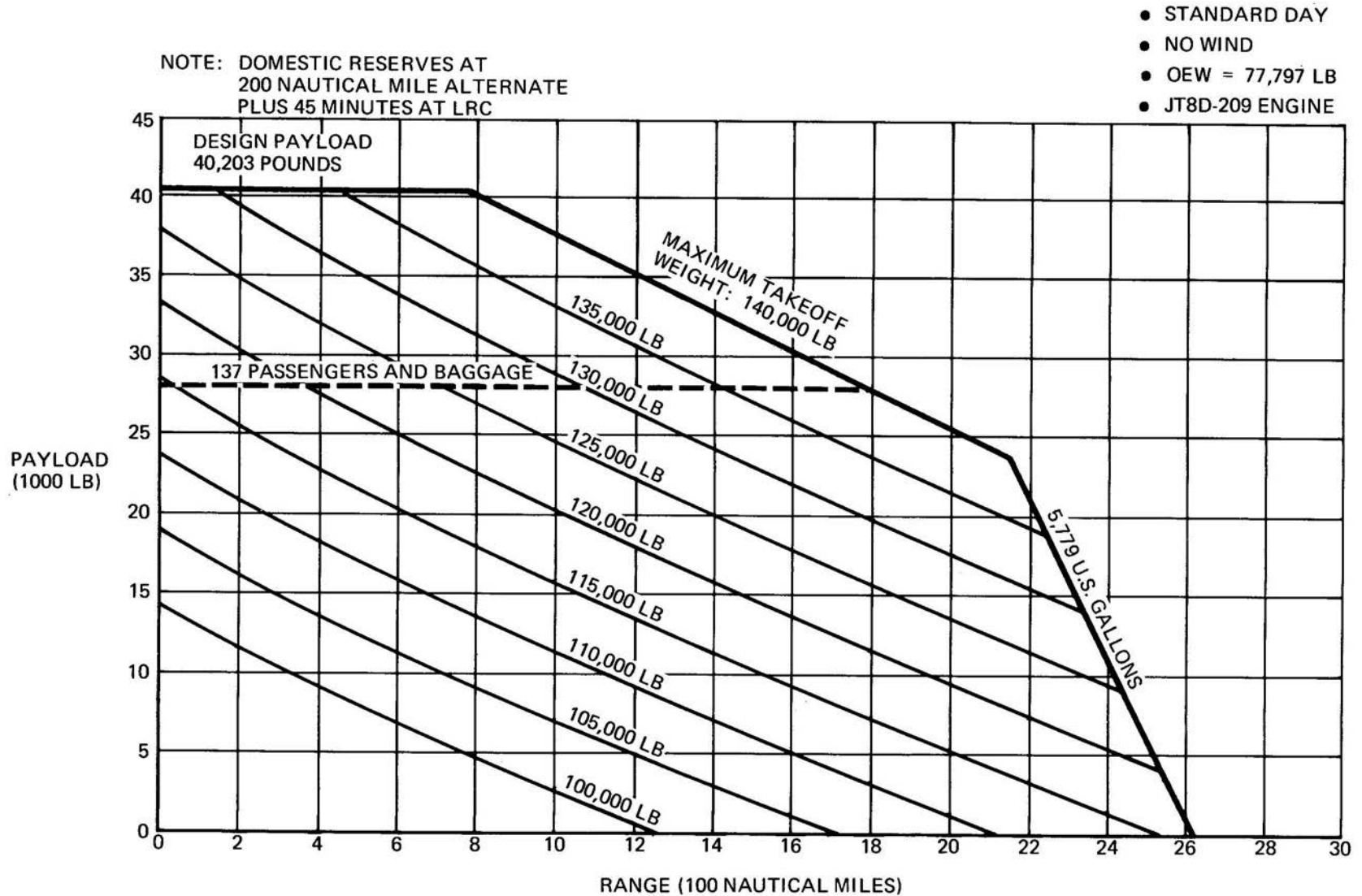
MD-80 Series Engine Characteristics

StartupBoeing

	<u>JT8D-209</u>	<u>-217</u>	<u>-217A</u>	<u>-217C</u>	<u>-219</u>
TAKEOFF - SEA LEVEL, STATIC					
• NORMAL T.O. THRUST (LB/°F)	18,500/77	20,000/77	20,000/84	20,000/84	21,000/84
• MAX T.O. THRUST (LB/°F)	19,250/84	20,850/84	20,850/84	20,850/84	21,700/84
BYPASS RATIO	1.78	1.73	1.73	1.73	1.70
MAX CRUISE - $M_N = 0.8$; 30,000 FT (9,144 m)					
• THRUST (LB)	5,800	6,300	6,300	6,300	6,300
ENGINE WEIGHT (LB)	4,410	4,430	4,430	4,515	4,515
INLET FLOW PATH DIA (IN.)	49.2	49.2	49.2	49.2	49.2
INITIAL CERTIFICATION	6-79	10-80	10-81	2-85	2-86
INITIAL SERVICE	1980	1981	1982	1985	1987

MD-81 Payload-Range

StartupBoeing

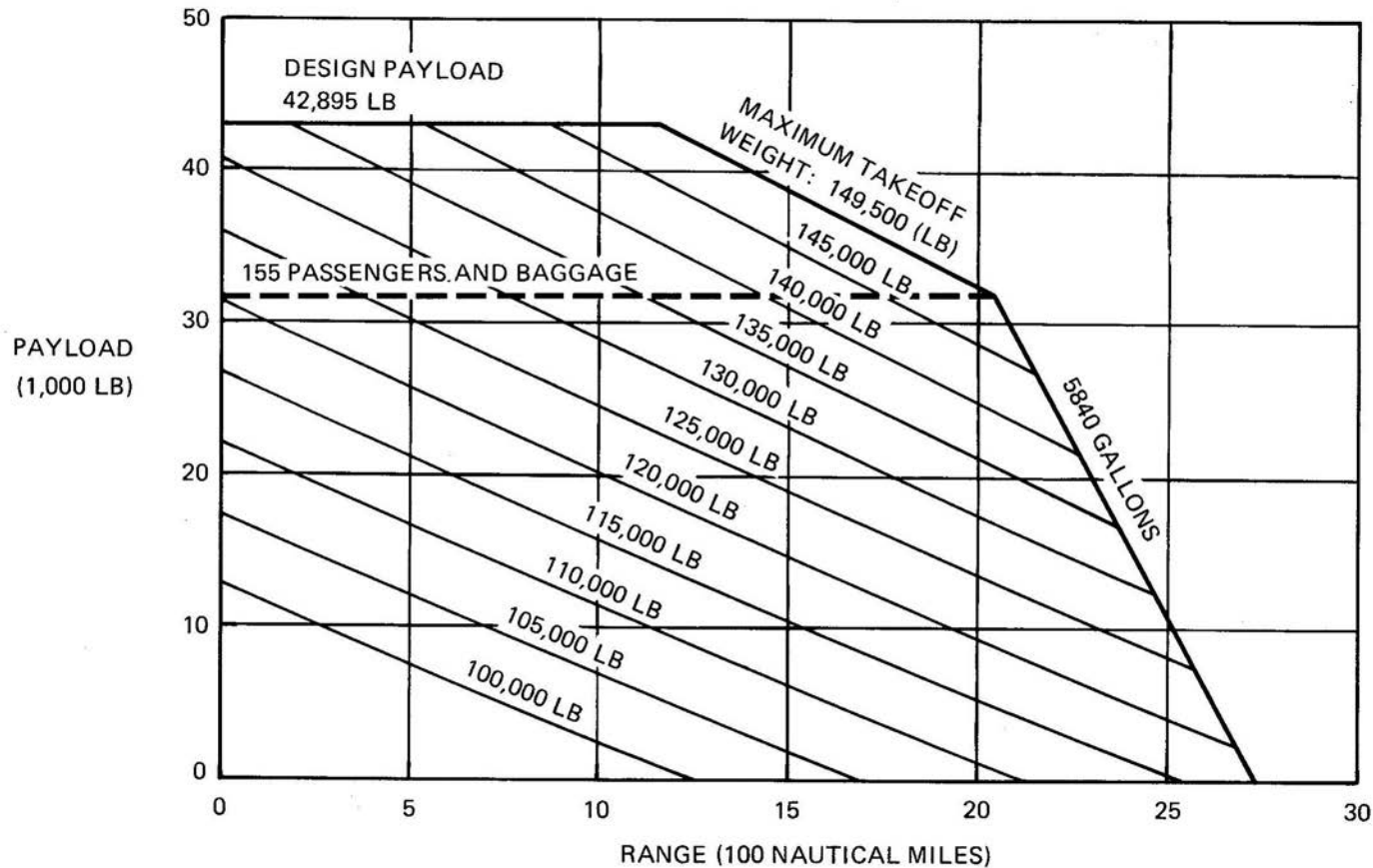


MD-82/-88 Payload-Range

StartupBoeing

NOTE: RESERVES BASED ON
FAR 121.639
200 N MI DISTANCE
TO ALTERNATE

- STANDARD DAY
- NO WIND
- OEW = 78,549 LB
- JT8D-217/217A ENGINES

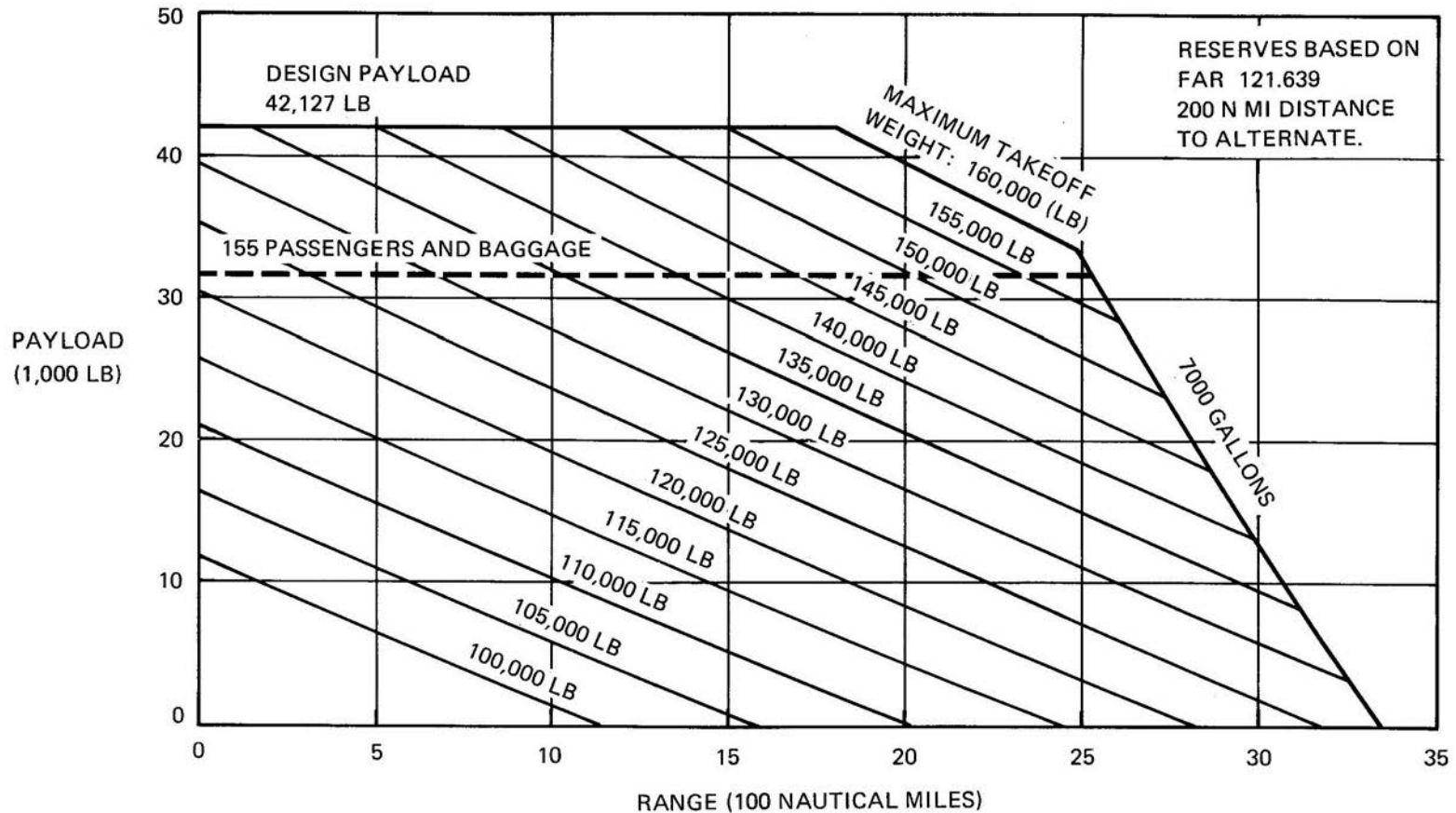


MD-83 Payload-Range

StartupBoeing

NOTE: RESERVES BASED ON
FAR 121.639
200 N MI DISTANCE
TO ALTERNATE

- STANDARD DAY
- NO WIND
- OEW 79, 873 LB
- JT8D-219 ENGINES

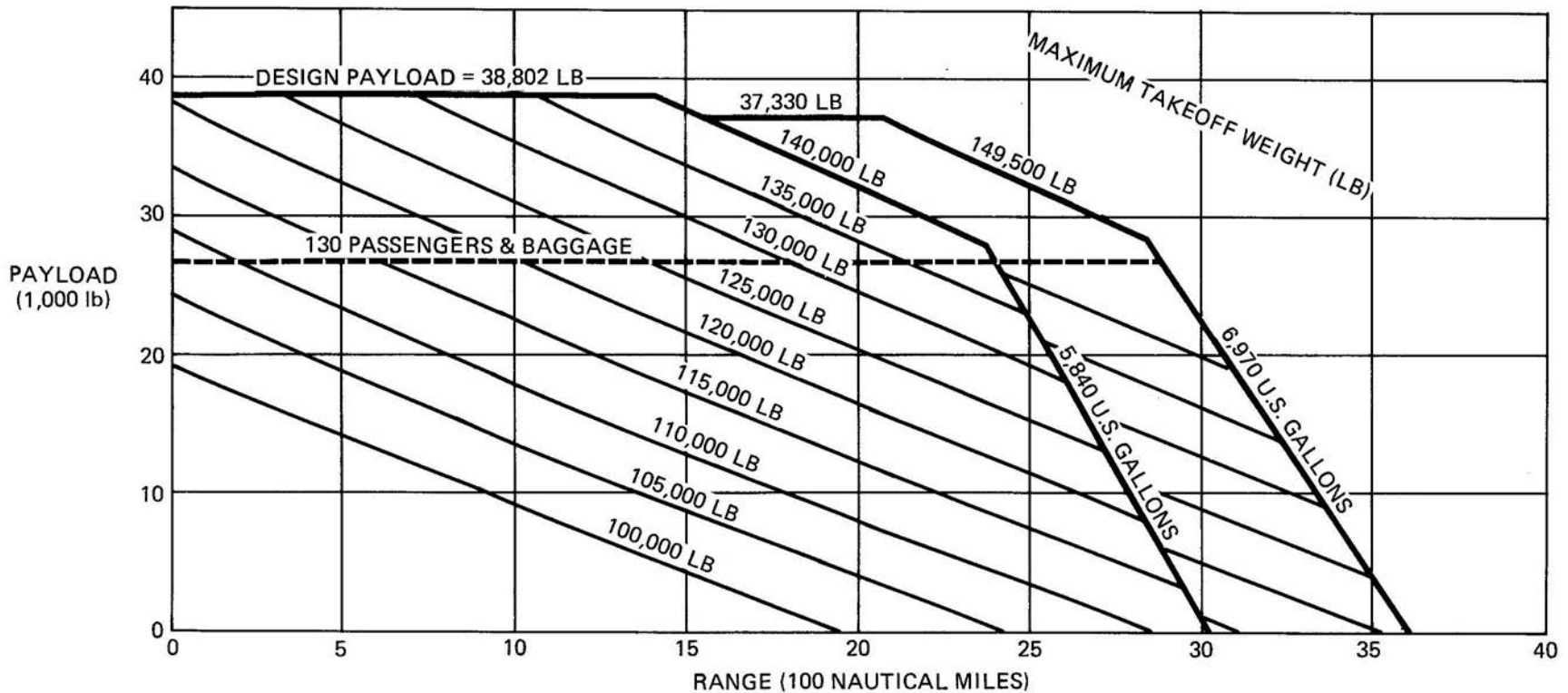


MD-87 Payload-Range

StartupBoeing

NOTE: DOMESTIC RESERVES AT
200-NAUTICAL-MILE ALTERNATE
PLUS 45 MINUTES AT LRC

- STANDARD DAY
- NO WIND
- OEW = 73,198 LB
- OEW = 74,670 LB WITH
AUXILIARY FUEL TANKS
- JT8D-217C ENGINE



MD-80 Flight Deck

StartupBoeing

